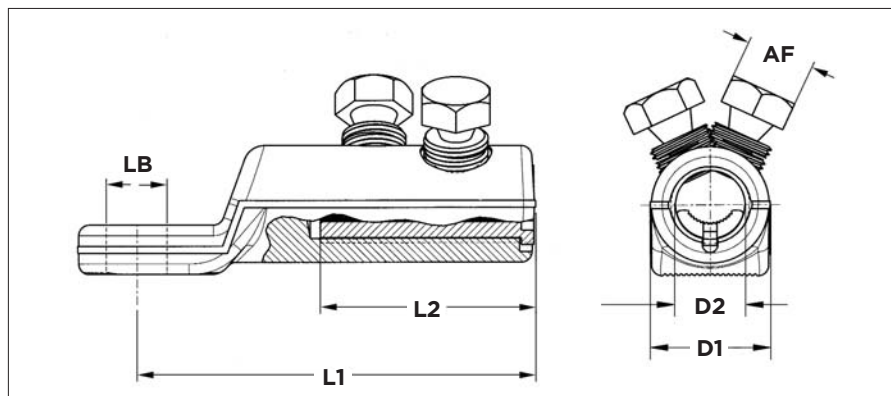


Ordering information - Dimensions - Selection tables

Mechanical lugs



Dimensions

Product reference	Cross-sectional range mm ²	Palm hole diameter mm LB	Dimensions mm				Contact bolts	
			L1	L2	D1	D2	Quantity	Head size AF mm
BLMT-25/95-13	25-95	13	60	30	24	12.8	1	13
BLMT-25/95-17	25-95	17	60	30	24	12.8	1	13
BLMT-35/150-13	35-150	13	86	35	28	15.8	1	17
BLMT-35/150-17	35-150	17	86	35	28	15.8	1	17
BLMT-95/240-13	95-240	13	112	60	33	20	2	19
BLMT-95/240-17	95-240	17	112	60	33	20	2	19
BLMT-120/300-13	120-300	13	115	65	37	24	2	22
BLMT-120/300-17	120-300	17	115	65	37	24	2	22
BLMT-185/400-13	185-400	13	137	80	42	25.5	3	22
BLMT-185/400-17	185-400	17	137	80	42	25.5	3	22
BLMT-185/400-21	185-400	21	137	80	42	25.5	3	22
BLMT-500/630-13	500-630	13	150	95	50	33	3	27
BLMT-500/630-17	500-630	17	150	95	50	33	3	27
BLMT-500/630-21	500-630	21	150	95	50	33	3	27

Selection and application table

Product reference	Application range	Conductor type						
		Al circular stranded	Al circular solid	Al sector stranded	Al sector solid	Cu circular stranded	Cu circular solid	Cu sector stranded
BLMT-25/95-XX	Cross-sectional range (mm ²)	25-95	25-95	25-70		16-95	10-50	25-70
	Cross-sectional range (mm ²)			95**				95**
	Conductor diameter (mm)	5.7-12.5	5.5-11			4.8-12.5	3.6-8	
BLMT-35/150-XX	Cross-sectional range (mm ²)	35-150	35-150	50-95	50-120	35-150	35-50	50-95
	Cross-sectional range (mm ²)			120*-150**				120*-150**
	Conductor diameter (mm)	6.8-15	6.5-14			6.6-15	6.5-8	
BLMT-95/240-XX	Cross-sectional range (mm ²)	95-240	95-240	95-150	95-150	95-240		95-150
	Cross-sectional range (mm ²)			185*-240**	185(90°)			185*-240**
	Conductor diameter (mm)	11-19.2	10.5-18			11-19.2		
BLMT-120/300-XX	Cross-sectional range (mm ²)	120-300	150-300	120-185	120-240	120-300		120-185
	Cross-sectional range (mm ²)			240*-300**				240*-300**
	Conductor diameter (mm)	12.7-23.1	12.9-19.8			12.7-22.6		
BLMT-185/400-XX	Cross-sectional range (mm ²)	185-400	185-400	185-240	185-240	185-400		185-240
	Cross-sectional range (mm ²)			300*-400**	300(90°)			300*-400**
	Conductor diameter (mm)	15.5-24.6	14.8-24.6			15.5-24.6		
BLMT-500/630-XX	Cross-sectional range (mm ²)	500-630	500-630			500-630		
	Cross-sectional range (mm ²)							
	Conductor diameter (mm)	25.3-32.5	24.0-28.6			25.3-32.5		

* - slightly rounded with pliers

** - pressed round

XX - Palm hole